



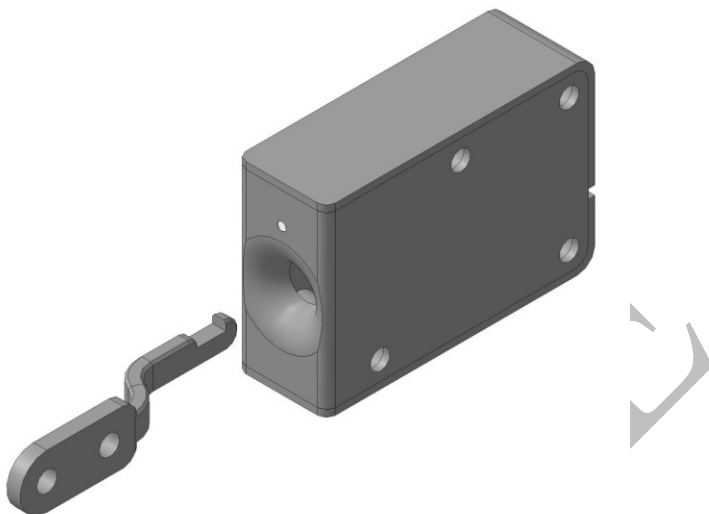
INSTRUCTION MANUAL

Electronic rim lock «RIFF» Model RH – 09

TC 20758006-070708

Application:

The lock is to be used for locking of doors of refrigeration cases by means of radio-channel or by means of wires.



Sevastopol 2009 Instruction manual

The lock is controlled by means of a remote control that is included in the set (see parts checklist).

- When the lock is switched to 220V there appears a short-time signal.
- If you press “A” or “B” button on the remote control, the lock will open for the period of 5 seconds. You need to open the door during this period of time. The open state of the lock is indicated by an intermittent sound signal and mechanical clicks.
- Unless you open the door in 5 seconds, the lock will close automatically.
- It is possible to connect several locks to one remote control.*
- In case the electricity is off, you can open the lock by means of the picklock. You need to put the picklock in the place indicated in the picture 1.

- After putting the picklock in the lock (picture 1), you need to pull the door together with the picklock.
- The control unit allows connecting two locks simultaneously (plugs I and II, picture 2).
- Plug III on the control unit is to be used for connecting remote opening button by means of wires (supplied under special order).
- After the lock installation, stick the «Oracle» tape on the connective wire.

Technical parameters:

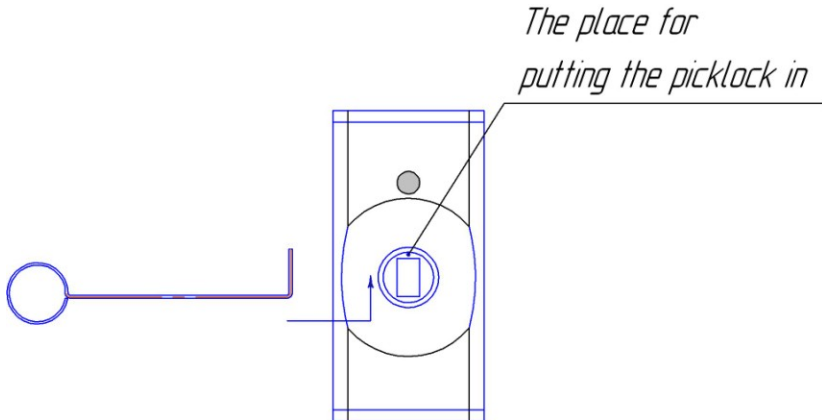
1. Safe load on crossbar (bolt) – 200 kg
2. Supply voltage – 220V
3. Lock voltage – 12V DC
4. Supply voltage of the remote control – 12V (battery type - 27A)
5. Maximum consumption current – 0,15 A
6. The length of the net wire – 0,35 m
7. Transmitting distance at $U=12V$ – 100 m
8. Weight of the lock in package – 280g



Parts checklist:

1. Assembled lock – 1 piece
2. Control unit – 1 piece
3. Connective wire (lock+control unit) $L=1,3m$
4. Remote control – 2 pcs
5. Strike plate – 1 piece
6. Screw of fastening of the lock 4.2x32 – 4pcs
7. Screw of fastening of the strike plate 4.2x16 – 2pcs
8. Picklock – 1 piece
9. «Oracle» tape 1000x30 mm – 1 piece
10. Instruction manual – 1 piece
11. Package – 1 piece

*** If you have any questions on how to install and connect the lock, address «UBC group» service centers.**



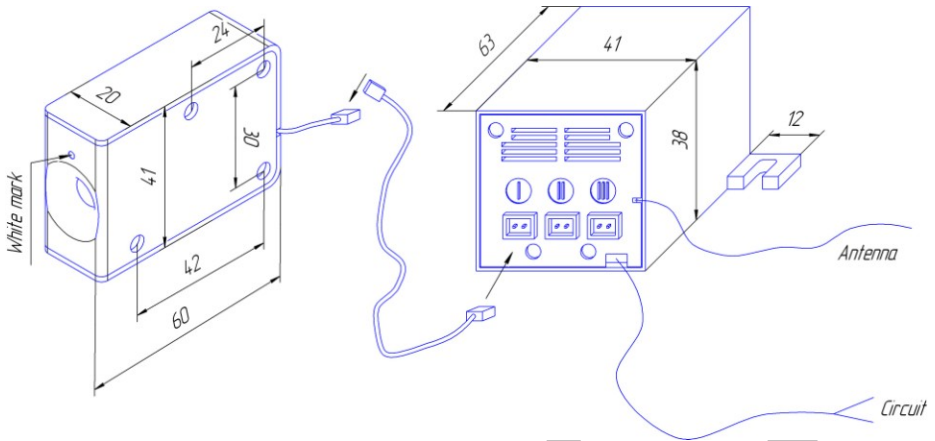
Picture 1 **Emergency opening of the lock**

Warranty period of the lock is 12 months beginning from the date of sale, but not more than 18 months beginning from the date of manufacture.

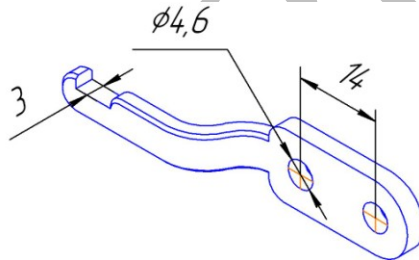
Warranty obligations do not extend to removable power supply elements inside remote controls.

Customer and manufacturer relationship concerning warranty obligations is to be regulated according to the law of Ukraine "About the protection of consumer's rights".

Technical ideas used in the lock are protected by copyright according to current legislation of Ukraine and Russia.



Picture 2. Connection scheme of the lock



Picture 3. Strike plate

ATTENTION: The lock must be installed horizontally (the white mark should be from above).

Private enterprise «RIF.F»

1, Fiolentovskoje shosse

Sevastopol

Ukraine 99053

Tel: (0692) 232111, 537272

Fax: (0692) 933228

e-mail: info@dori.com.ua

<http://www.dori.com.ua>

Date of manufacture _____

Acceptance mark:

CE